

OUR SERVICES

- Provision of Solar Modules and Solar Power Systems
- Systems Solutions & Consultancy
- Systems Installation Services

CONTACTS

Sales & Marketing:

sales@topscm.us

Customer Service:

cust@topscm.us

Technical Support:

tech@topscm.us

TOPSCOM
TECHNOLOGY SOLUTIONS

www.topscm-solar.com

Soleil-series Solar Power Kits

A solar power kit comprises of the 4 main components required for a Solar Power System. Although designed as a Stand-alone PV System (also called Off-grid System), it can also be part of a Grid-connected System with the inclusion of additional components.

The Soleil-series Solar Power Kits combine quality components to offer a system with excellent performance that is safe and reliable. Each kit comes complete with DIY instruction that makes assembly of the system a simple task. Accessories for assembly are also available for purchase separately.

Soleil-series Solar Power Kit – an ideal investment choice that reaps returns.

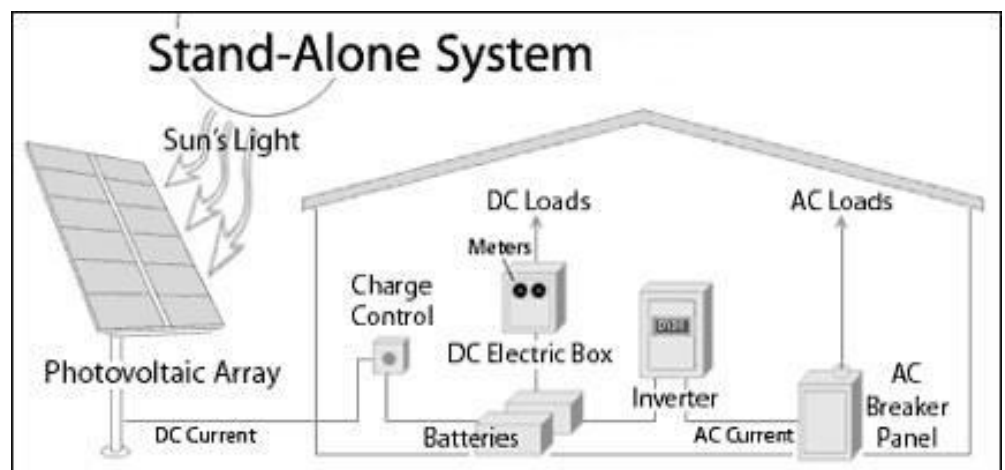


Features

- Simple and easy to assemble
- Quality components for excellent performance
- Configured as Stand-alone PV System

Benefits

- Manufactured in an ISO9001:2000 certified facility insures quality and confidence
- Highly efficient, safe, reliable and stable performance means minimal maintenance required



Product Information

Specifications

0.2K – 1.5K W

KIT NUMBER	S-200-WK	S-500-WK	S-1000-WK	S-1500-WK
System Power Rating (W)	0.2K	0.5K	1.0K	1.5K
SOLAR MODULE	200W	500W	1000W	1500W
Model Number	H-200/60S	H-250/72S	H-200/60S	H-150/48S
Unit Rating (W)	200	250	200	150
Quantity	1	2	5	10
BATTERY	24V150AH	24V300AH	24V600AH	24V900AH
Model Number	FP150-12	FP150-12	FP150-12	FP150-12
Unit Rating (AH)	150	150	150	150
Quantity	2	4	8	12
CHARGE CONTROLLER	24V10A	24V30A	24V50A	24V50A
Model Number	XT-24-10	XT-24-30	XT-24-50	XT-24-50
Rated Voltage (V _{DC})	24			
Rated Current (A)	10	30	50	50
INVERTER	500W	1000W	2000W	3000W
Model Number	AE005-23V	AE010-23V	AE020-23V	AE030-23V
Rated Voltage (V _{AC})	230			
Power Handling Capacity (W)	0.5K	1.0K	2.0K	3.0K

A GREEN MESSAGE

Using renewable solar energy enables us to reduce the use of fossil fuels to generate energy. Fossil fuel energy generation pollutes our environment. You are empowered to help. Do your part. Be a responsible global citizen. **SAVE GAIA.**



Applications

Rural School Site with Off-grid Solar Power Installation



Computer learning & Web access made possible

Roof-mounted Solar Panels

Controller Box With Inverter



Other Applications

- Solar Power for Rural Homes
- Solar Power for Orphanages
- Solar Power for Child Care Centres
- Solar Power for Communal Centres
- ... and many others ...

TOPSCOM
TECHNOLOGY SOLUTIONS

www.topscom-solar.com

All data presented herein are general information only.
Manufacturer shall not be responsible for any data variation resulting from subsequent engineering improvements.
© 2009, TOPSCOM TECHNOLOGY SOLUTIONS. ALL RIGHTS RESERVED.